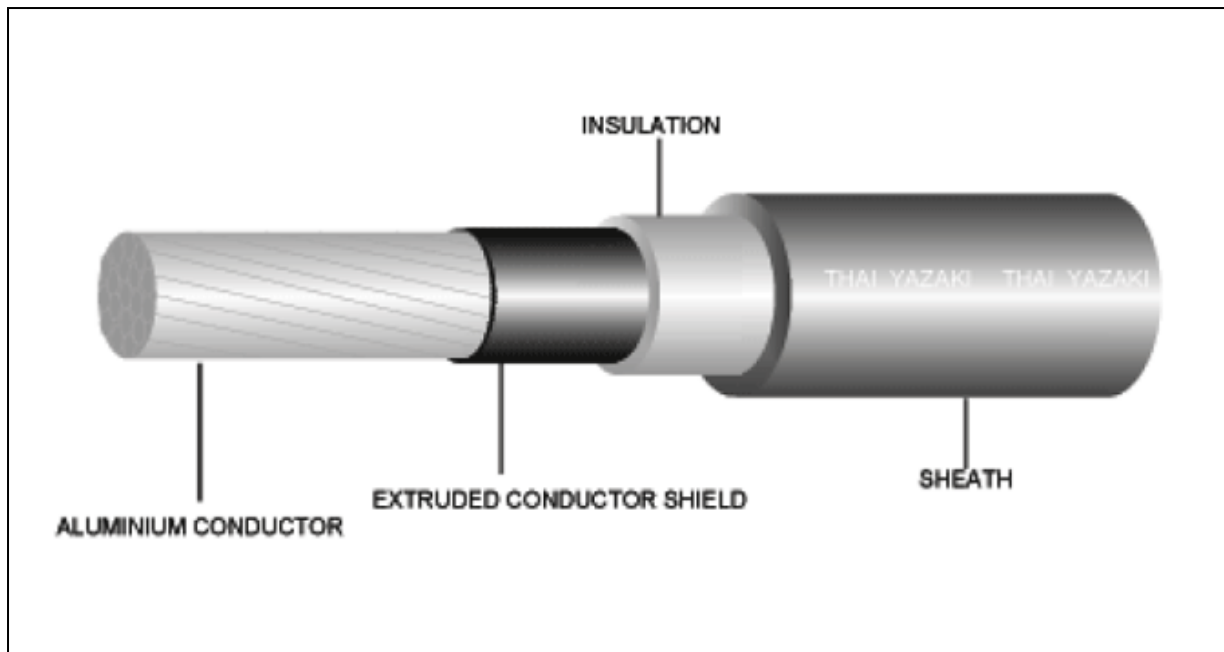


35 KV-CC

ALL ALUMINIUM SPACED AERIAL CABLE



CABLE STRUCTURE

NUMBER OF CORE CONDUCTOR	: Single Core : Compacted round stranded hard drawn aluminum Conductors, : Sizes 35 mm ² up to 240 mm ²
INSULATION	: Cross-linked polyethylene (XLPE) : Color : Natural
SHEATH	: Cross-linked polyethylene (XLPE) : Color : Black
CLASSIFICATION	: Maximum conductor temperature 90°C : Circuit voltage not exceeding 35,000 volts
TESTING VOLTAGE	: 49,000 volts
REFERENCE	: ICEA S-66-524

35 KV-CC

Number Of core	Nominal Cross Sectional area (mm ²)	Number Of stranded (Min)	Diameter of Conductor approx. (mm)	Insulation thickness (mm)	Sheath thickness (mm)	Approx. Overall diameter (mm)	Maximum conductor resistance at 20 °C (Ω/Km)	Minimum Insulation resistance at 15.6 °C (MΩ-Km)	Maximum continuous current rating in free air (Ampere)	Breaking Strength (N)	Cable Weight (approx.) (Kg/Km)	Standard length (m)
1	50	6	8.5 9.9	4.445	3.175	26	0.641	2,500	180	7,890	550	500/D
	70	12	11.6	4.445	3.175	27	0.443	2,300	225	10,530	650	500/D
	95	15	13.1	4.445	3.175	29	0.320	2,100	275	14,380	750	500/D
	120	15	14.4	4.445	3.175	31	0.253	1,950	315	19,110	900	500/D
	150	15	16.1	4.445	3.175	32	0.206	1,800	360	22,560	1,000	500/D
	185	30	18.6	4.445	3.175	34	0.164	1,690	415	29,600	1,100	500/D
	240	30		4.445	3.175	36	0.125	1,500	490	38,220	1,400	500/D

D : Packing in drum.



