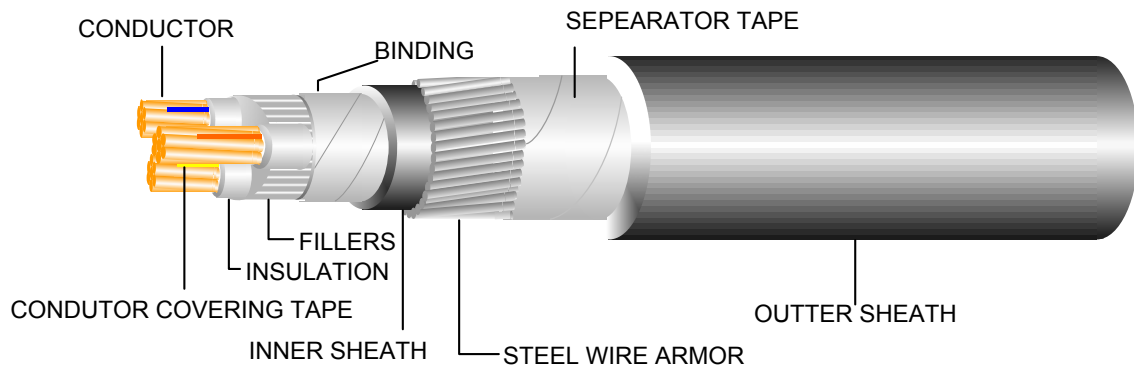


---

# FDLH-0.6/1KV-CE-SWA

---

## 0.6/1(1.2)kV 90 °C XLPE Insulated PE Jackets Steel Wire Armored Flame Retardant with Low Smoke and Zero Halogen Power Cable



### CABLE STRUCTURE

<b>NUMBER OF CORE CONDUCTOR</b>	: 2 up to 4 core : Concentric strand and compact stranded annealed copper, Sizes 1.5 mm <sup>2</sup> up to 400 mm <sup>2</sup>
<b>INSULATION</b>	: Low Smoke and zero halogen cross-linked polyethylene (LSOH-XLPE) Color : Natural ( Translucent ) Core identification : Compound –color Red, Yellow, Blue , Black
<b>ARMOR SHEATH</b>	: Steel wire armour : Low smoke and zero halogen polyethylene (LSOH-PE) Color : Black
<b>CLASSIFICATION</b>	: Maximum conductor temperature 90 °C , Circuit voltage not Exceeding 1 kV
<b>TESTING VOLTAGE</b>	: 3.5 kV
<b>REFERENCE STANDARD</b>	: BS 6724
<b>SMOKE DENSITY TEST</b>	: BS EN 50268-2 ( IEC 61034-2)
<b>ACID GAS TEST</b>	: BS EN 50267-2-2 ( IEC 60754-2)
<b>FLAME RETARDANT STANDARD</b>	: BS 4066 part 3 Cat C

**FDLH-0.6/1KV-CE-SWA**

**IEC 60502-1**

No. of core	Size (mm <sup>2</sup> )	Conductor Strands (mm)	Conductor Diameter Approx. (mm)	Insulation Thickness Nominal (mm)	Jacket Thickness Nominal (mm)	Diameter Of Jacket Approx. (mm)	Armor Wire Diameter Nominal (mm.)	Overall Jacket Thickness Nominal (mm)	Overall Diameter Approx. (mm)	Maximum Conductor Resistance at 20 °C (Ω/km)	Maximum Continuous Current Rating in Free air ( Ampere )	Weight Of Cable (approx.) (kg/km)	Standard Packing Length (m)
2	1.5	7/0.53	1.59	0.7	0.8	8.0	0.90	1.3	12.5	12.1	26	280	500/D
	2.5	7/0.67	2.01	0.7	0.8	9.4	0.90	1.4	14.0	7.41	34	340	500/D
	4	7/0.85	2.55	0.7	0.8	10.0	0.90	1.4	15.0	4.61	45	400	500/D
	6	7/1.04	3.12	0.7	0.8	11.5	0.90	1.4	16.5	3.08	57	480	500/D
	10	6	3.8	0.7	0.8	12.5	0.90	1.5	18.0	1.83	77	600	500/D
	16	6	4.8	0.7	0.8	14.5	1.25	1.5	21	1.15	100	900	500/D
	25	6	6	0.9	0.8	18.0	1.25	1.6	24	0.727	135	1,200	500/D
	35	6	7.1	0.9	1.0	21	1.60	1.7	28	0.524	165	1,700	500/D
	50	6	8.3	1.0	1.0	24	1.60	1.8	31	0.387	200	2,100	500/D
	70	12	9.9	1.1	1.0	27	1.60	1.9	35	0.268	250	2,600	500/D
	95	15	11.7	1.1	1.2	31	2.0	2.0	40	0.193	310	3,700	500/D
	120	18	13.2	1.2	1.2	35	2.0	2.1	43	0.153	360	4,500	500/D
	150	18	14.6	1.4	1.2	38	2.0	2.2	47	0.124	410	5,000	500/D
	185	30	16.3	1.6	1.4	43	2.5	2.4	54	0.0991	480	6,500	500/D
	240	34	18.7	1.7	1.4	48	2.5	2.5	59	0.0754	570	8,000	500/D
	300	34	20.9	1.8	1.6	54	2.5	2.6	65	0.0601	665	10,000	300/D
400	53	23.5	2.0	1.6	60	2.5	2.8	72	0.0470	760	12,000	300/D	
3	1.5	7/0.53	1.59	0.7	0.8	8.5	0.90	1.3	13.0	12.1	21	310	500/D
	2.5	7/0.67	2.01	0.7	0.8	10.0	0.90	1.4	15.0	7.41	29	390	500/D
	4	7/0.85	2.55	0.7	0.8	11.0	0.90	1.4	16.0	4.61	38	460	500/D
	6	7/1.04	3.12	0.7	0.8	12.0	0.90	1.4	17.0	3.08	48	550	500/D
	10	6	3.8	0.7	0.8	13.5	1.25	1.5	19.0	1.83	65	850	500/D
	16	6	4.8	0.7	0.8	15.5	1.25	1.6	21.5	1.15	87	1,100	500/D
	25	6	6	0.9	1.0	19.5	1.60	1.7	26.5	0.727	115	1,700	500/D
	35	6	7.1	0.9	1.0	22	1.60	1.8	29	0.524	140	2,100	500/D
	50	6	8.3	1.0	1.0	25	1.60	1.8	32	0.387	170	2,600	500/D
	70	12	9.9	1.1	1.0	29	1.60	1.9	36	0.268	210	3,300	500/D
	95	15	11.7	1.1	1.2	33	2.0	2.1	41.5	0.193	260	4,600	500/D
	120	18	13.2	1.2	1.2	37	2.0	2.2	45.5	0.153	305	5,500	500/D
	150	18	14.6	1.4	1.4	42	2.5	2.3	52	0.124	350	7,000	500/D
	185	30	16.3	1.6	1.4	46	2.5	2.4	56	0.0991	405	8,500	500/D
	240	34	18.7	1.7	1.4	52	2.5	2.6	66.5	0.0754	485	11,000	300/D
	300	34	20.9	1.8	1.6	58	2.5	2.7	68.5	0.0601	560	13,000	300/D
400	53	23.5	2.0	1.6	64	2.5	2.9	72	0.0470	650	16,000	200/D	

D : Packing in drum

Remark : Special protection can be produced.



No. of core	Size (mm <sup>2</sup> )	Conductor Strands (mm)	Conductor Diameter Approx. (mm)	Insulation Thickness Nominal (mm)	Jacket Thickness Nominal (mm)	Diameter Of Jacket Approx. (mm)	Armor Wire Diameter Nominal (mm.)	Overall Jacket Thickness Nominal (mm)	Overall Diameter Approx. (mm)	Maximum Conductor Resistance at 20 °C (Ω/km)	Maximum Continuous Current Rating in Free air ( Ampere )	Weight Of Cable (approx.) (kg/km)	Standard Packing Length (m)
4	1.5	7/0.53	1.59	0.6	0.8	9.3	0.90	1.3	14.0	12.1	22	280	500/D
	2.5	7/0.67	2.01	0.7	0.8	11.0	0.90	1.4	16.0	7.41	29	340	500/D
	4	7/0.85	2.55	0.7	0.8	12.0	0.90	1.4	17.0	4.61	38	400	500/D
	6	7/1.04	3.12	0.7	0.8	13.5	1.25	1.5	19.5	3.08	49	480	500/D
	10	6	3.8	0.7	0.8	15.0	1.25	1.5	21	1.83	66	600	500/D
	16	6	4.8	0.7	0.8	17.5	1.25	1.6	24	1.15	88	900	500/D
	25	6	6	0.9	1.0	22	1.60	1.7	29	0.727	115	1,200	500/D
	35	6	7.1	0.9	1.0	25	1.60	1.8	32	0.524	140	1,700	500/D
	50	6	8.3	1.0	1.0	28	1.60	1.9	35	0.387	170	2,100	500/D
	70	12	9.9	1.1	1.0	33	2.0	2.1	41	0.268	215	2,600	500/D
	95	15	11.7	1.1	1.2	37	2.0	2.2	46	0.193	260	3,700	500/D
	120	18	13.2	1.2	1.4	42	2.5	2.3	52	0.153	300	4,500	500/D
	150	18	14.6	1.4	1.4	46	2.5	2.4	57	0.124	340	5,000	300/D
	185	30	16.3	1.6	1.4	51	2.5	2.6	63	0.0991	395	6,500	300/D
	240	34	18.7	1.7	1.6	58	2.5	2.7	70	0.0754	475	8,000	300/D
	300	34	20.9	1.8	1.6	64	2.5	2.9	76	0.0601	545	10,000	200/D
	400	53	23.5	2.0	1.8	72	3.15	3.2	86	0.0470	638	12,000	200/D

D : Packing in drum

